



MODEL KAWASAKI Z 750

YEAR 2004-2006

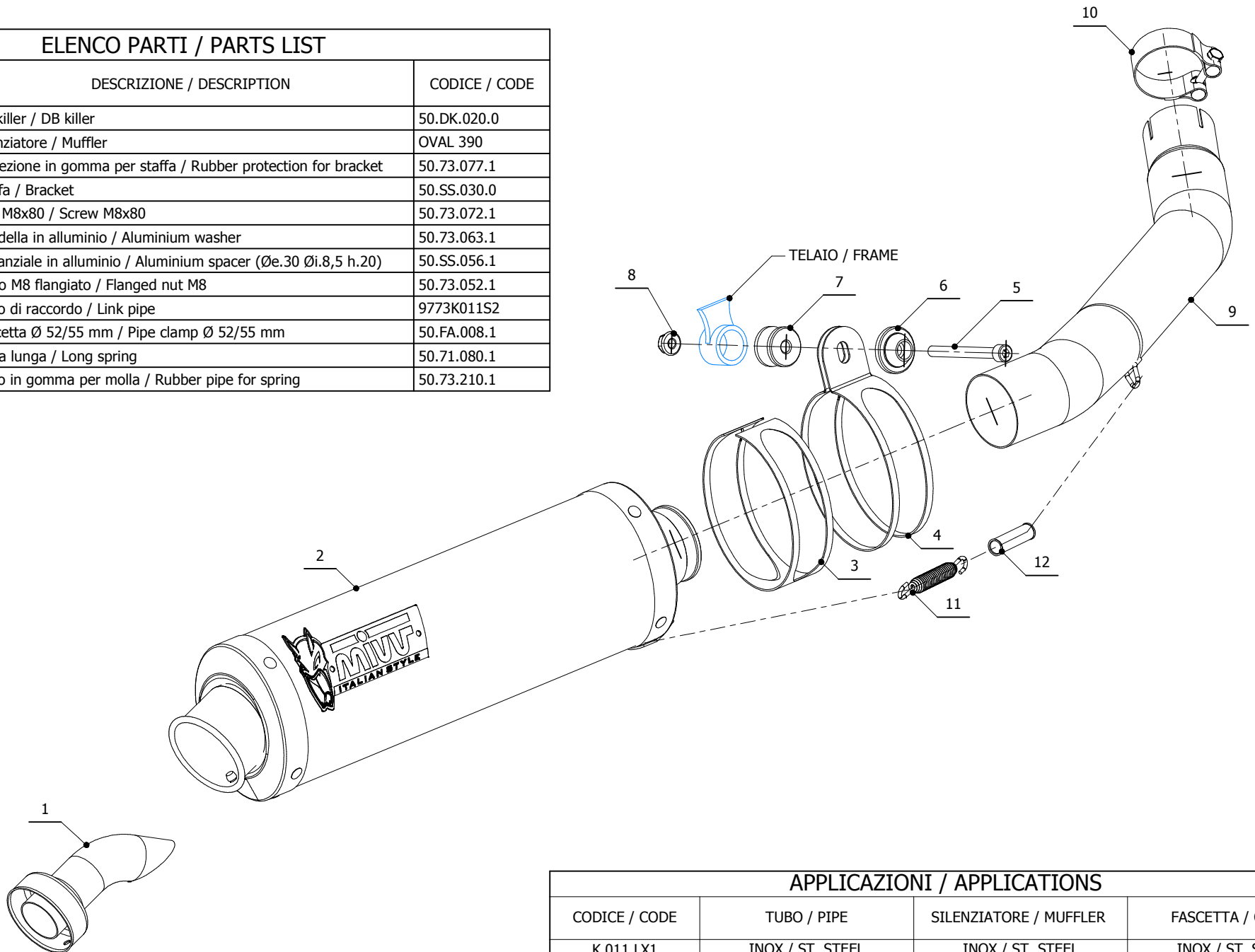
LINE SLIP ON

MUFFLER OVAL

SCHEMATIC

ELENCO PARTI / PARTS LIST

| # | QTÀ / QTY | DESCRIZIONE / DESCRIPTION | CODICE / CODE |
|----|-----------|---|---------------|
| 1 | 1 | DB killer / DB killer | 50.DK.020.0 |
| 2 | 1 | Silenziatore / Muffler | OVAL 390 |
| 3 | 1 | Protezione in gomma per staffa / Rubber protection for bracket | 50.73.077.1 |
| 4 | 1 | Staffa / Bracket | 50.SS.030.0 |
| 5 | 1 | Vite M8x80 / Screw M8x80 | 50.73.072.1 |
| 6 | 1 | Rondella in alluminio / Aluminium washer | 50.73.063.1 |
| 7 | 1 | Distanziale in alluminio / Aluminium spacer (Øe.30 Øi.8,5 h.20) | 50.SS.056.1 |
| 8 | 1 | Dado M8 flangiato / Flanged nut M8 | 50.73.052.1 |
| 9 | 1 | Tubo di raccordo / Link pipe | 9773K011S2 |
| 10 | 1 | Fascetta Ø 52/55 mm / Pipe clamp Ø 52/55 mm | 50.FA.008.1 |
| 11 | 1 | Molla lunga / Long spring | 50.71.080.1 |
| 12 | 1 | Tubo in gomma per molla / Rubber pipe for spring | 50.73.210.1 |



APPLICAZIONI / APPLICATIONS

| CODICE / CODE | TUBO / PIPE | SILENZIATORE / MUFFLER | FASCETTA / CLAMP |
|---------------|------------------|------------------------|------------------|
| K.011.LX1 | INOX / ST. STEEL | INOX / ST. STEEL | INOX / ST. STEEL |