

1 The Eastgate Office Centre
Eastgate Road
Bristol BS5 6XX
United Kingdom



Switchboard: +44 (0)117 951 5151
Main Fax: +44 (0)117 952 4103
E-mail: general@vca.gov.uk
Web Site: www.vca.gov.uk

VEHICLE CERTIFICATION AGENCY

THE UNITED KINGDOM VEHICLE APPROVAL AUTHORITY

Rev 10/02



COMMUNICATION CONCERNING THE APPROVAL GRANTED OF A TYPE
OF DEVICE PURSUANT TO REGULATION NO 50
(*Motorcycle Lamps and Illuminating Devices*)

Approval No: 50R-00 1112

1. Trade name or mark of the device:

Trade Mark:



Trade Name: ST

2. Manufacturer's name for the type of device: ST-12106

3. Manufacturer's name and address:

Yuan Jeou Industrial Company Limited
199, Alley 125
Lane 318
Sec. 2 An-Ho Road
Tainan City
Republic Of China

4. If applicable, name and address of the manufacturer's representative: Not applicable

5. Submitted for approval on: 24 June 2005

6. Technical service responsible for conducting approval tests: Vehicle Certification Agency

7. Date of report issued by that service: 2 July 2005

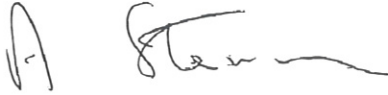
8. Number of report issued by that service: EAF066470



9. Concise description:
By category of lamp: 11 and 12

Colour of light emitted: Amber

Number and category of filament lamp(s): P21W for front and rear direction indicator.

Geometrical conditions of installation and relating variations, if any: Not applicable
10. Position of the approval mark: On the lens
11. Reason(s) for extension (if applicable): Not applicable
12. Approval: GRANTED
13. Place: BRISTOL
14. Date: 24 AUGUST 2005
15. Signature:  A.W. STENNING
Head of Product Certification
16. The list of documents deposited with the Administrative Service which has granted approval is annexed to this communication and may be obtained on request.

EAF066470



CERTIFICATE of Type Approval

No: **0001-00041**

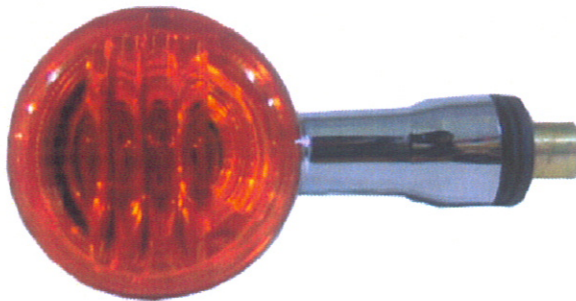
According to the

Test Report No. **EAFO66470-00-1112**

ISOQA hereby certifies the samples with following details are complied with the related requirements :

Front Direction Indicator and
Rear Direction Indicator

of ECE Regulation 50



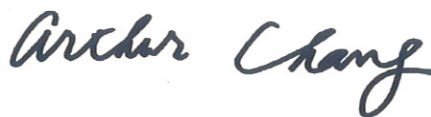
Model No. **ST-12106**

Make: *Yuan Jeou Industrial Company Limited*

Address: *199, Alley 125, Lane 318, Sec. 2 An-Ho Road
Tainan City, Republic Of China*

Signed by

Date of approval: **2005/9/5**



Arthur C. H. Chang

Expiry date: **2006/9/5**

Chief Executive Officer

Integrated Service of Quality Assessment

This certificate is applicable to samples tested only.

This certificate is not a stand-alone document.

*The certificate has to be used together with the
Certificate of Conformity of Production.*

E1/ E11/DOT/SAE
Made in Taiwan
Approved by ISOQA
台灣生產、建維驗證

Yuan Jeou Industrial Co., Ltd.

沅久實業股份有限公司

Information Document

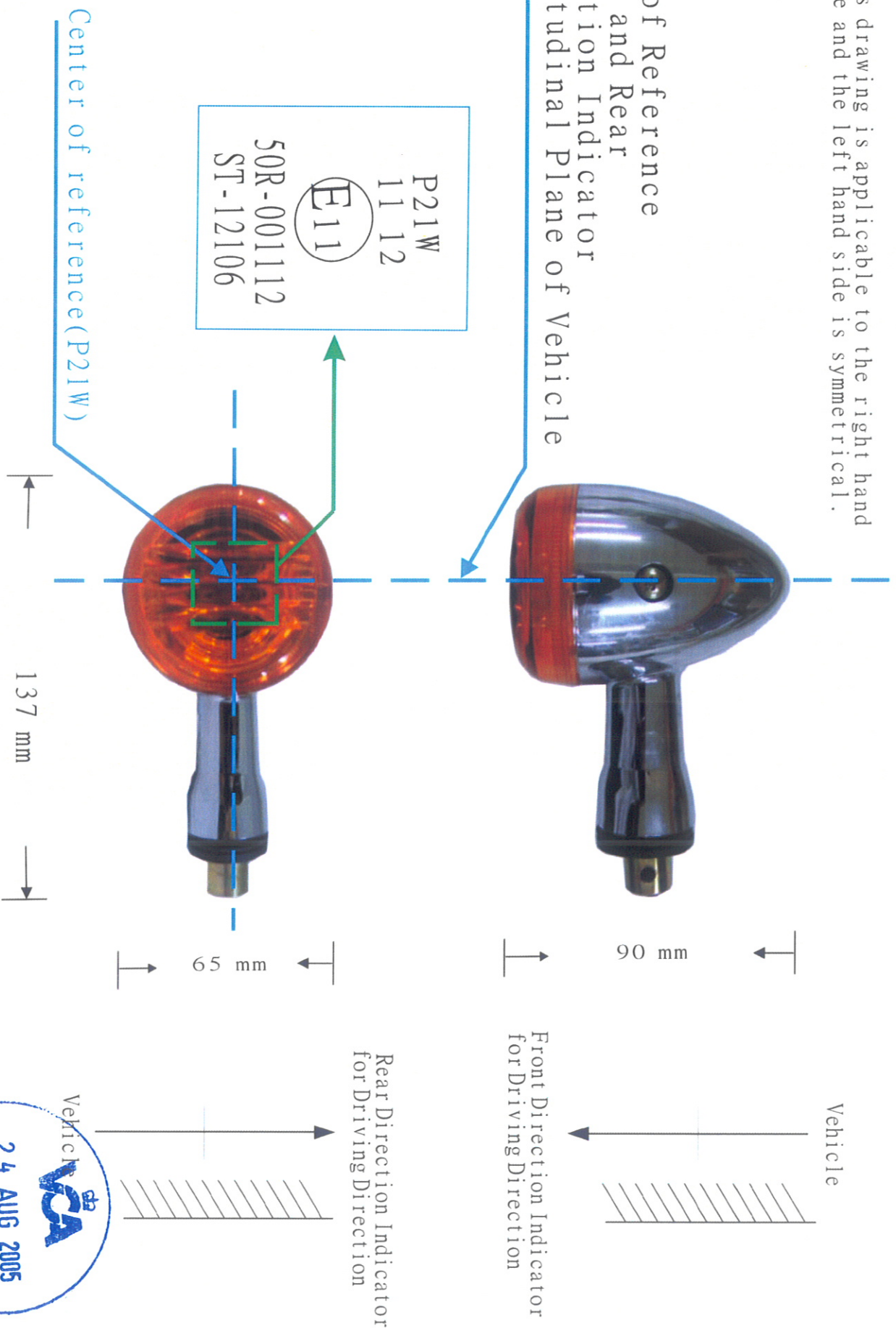
for Initial application to ECE Homologation
of Model Number ST-12106

items	Details		Initial	Extension-	00	Remark
1.	VCA					
1.1	Job Number		EAF066470			
1.2	Approval Number		00 1112			
2.	Manufacturer					
2.1	Name		Yuan Jeou Industrial Co., Ltd.			
2.2	Address		199, Alley 125, lane 318, Sec. 2, An-Ho Road, Tainan City, Taiwan, Republic of China			
2.3	Trade name or mark		ST			
3.	Product					
3.1	Model Number		ST-12106			
3.2	Intended functions	Charteristic				
3.2.1	Front & Rear Direction Indicator (R50)	Category	11 and 12			
		Bulb	P21W 12V 21W			
		Color of light	Amber			
		Color of lens	Amber			
4.	Drawings		ST-12106			



Note: This drawing is applicable to the right hand side and the left hand side is symmetrical.

Axis of Reference
Front and Rear
Direction Indicator
Longitudinal Plane of Vehicle



Model No.	ST-12106	Drawing No.	ST-12106
Function	Front & Rear Direction Indicator		

远久實業股份有限公司
Yuan Jeou Industrial Co., Ltd.

24 AUG 2005



EX 4920 QUALITY AUTHORITY

YUAN JEOU INDUSTRIAL CO.,LTD.

ST-12106 Front and Rear Direction Indicator

Front View



Top View



Rear View



Side View

