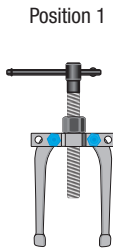
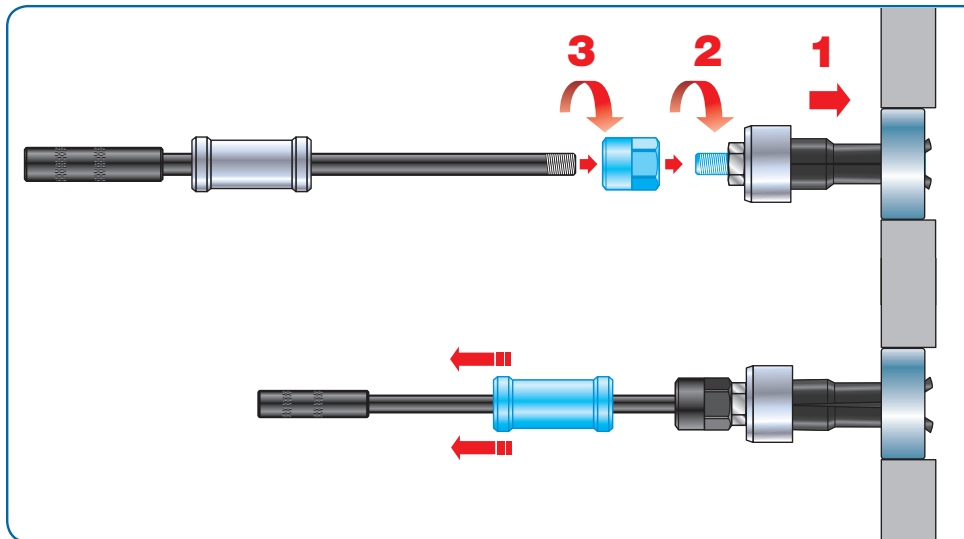
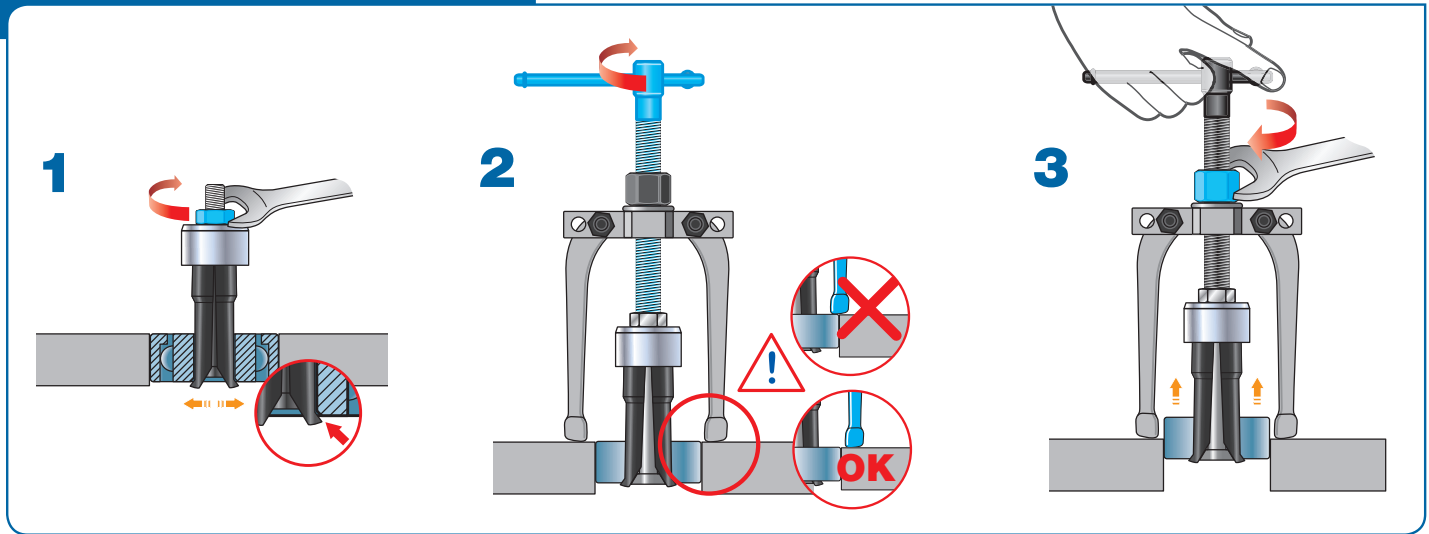
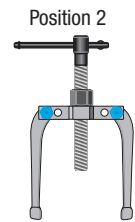


HOW TO USE BP Set?

Extractor	Bearing bore Ø (mm)
BP 5-7	Min Ø 5 Max Ø 7
BP 8-11	Min Ø 8 Max Ø 11
BP 12-15	Min Ø 12 Max Ø 15
BP 16-19	Min Ø 16 Max Ø 19
BP 20-26	Min Ø 20 Max Ø 26



BP 28-34	Min Ø 28 Max Ø 34
BP 35-44	Min Ø 35 Max Ø 44




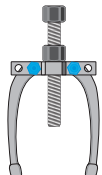


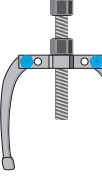
SAFETY INSTRUCTIONS

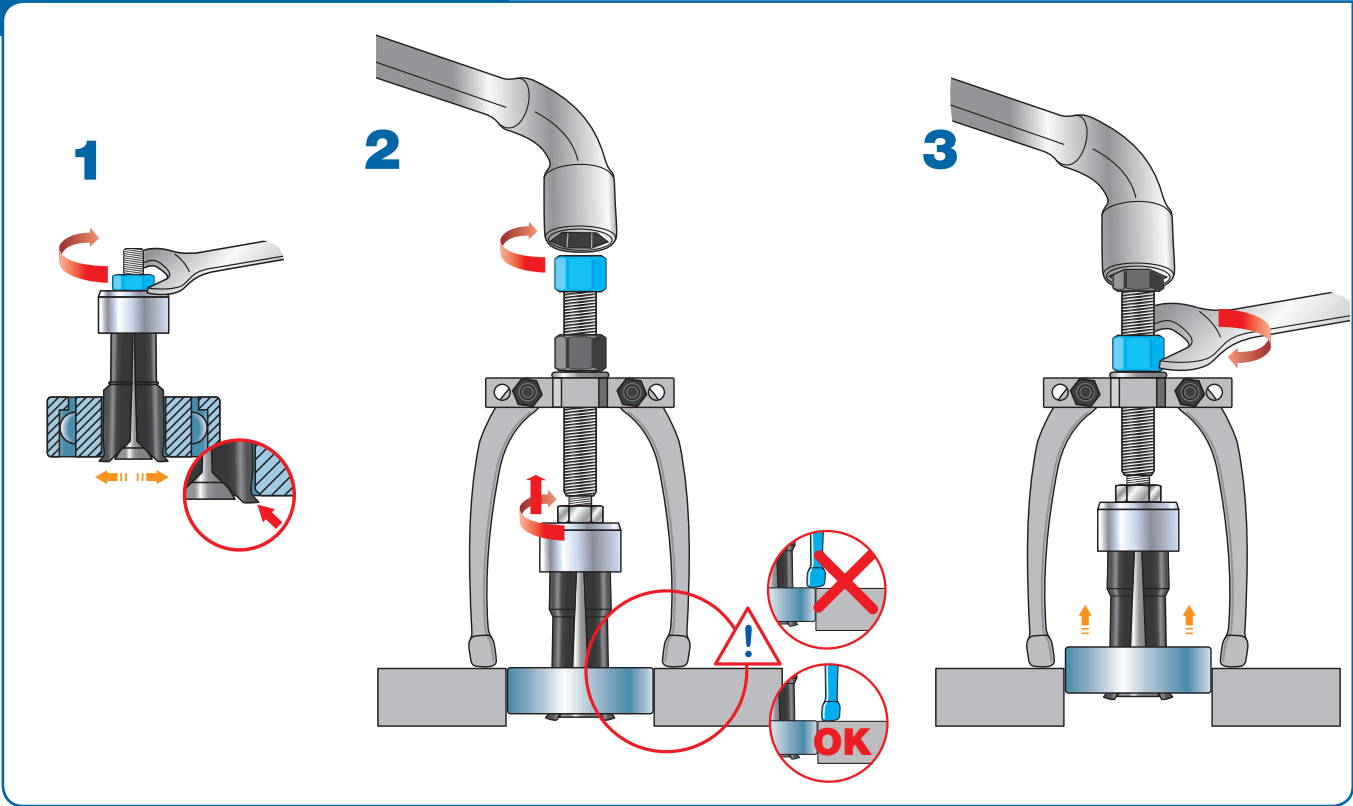


Pulling force max.: 50 kN









HOW TO USE BP Set?

Extractor	Bearing bore Ø (mm)		
BP 45-58	 Min Ø 45	Max Ø 58	 Position 1
BP 57-75	 Min Ø 57		
BP 74-100	 Min Ø 74	Min Ø 100	 Position 2



SAFETY INSTRUCTIONS

Pulling force max.: 00 kN

