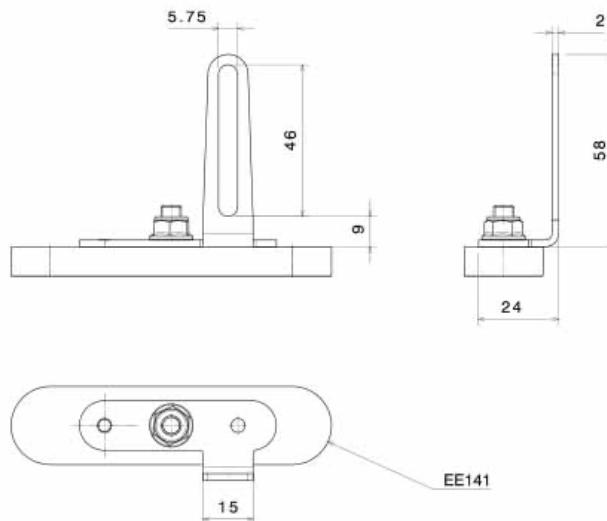


**E9**

IA-E9-02.1201

<b>Issued by:</b>	IDIADA – Institute for Applied Automotive Research L’Albornar - P.O. Box 20 E – 43710 Santa Oliva (Tarragona) Spain
<b>Place &amp; Date of type-approval:</b>	L’Albornar, 19.09.2005
<b>Report No.:</b>	A0508010
<b>Date of issue:</b>	08.08.2005
<b>Approval identification:</b>	IA-E9-02.1201

**Product Codes:** EE400B / EE141B**Technical Drawing:**

<b>Marking:</b>	Printed in low relief by stamping.
<b>Field of application:</b>	2 or 3 wheel motorcycles and vehicles treated as such. (PTWs, ATVs, Scooters, Motorcycles, Moped)