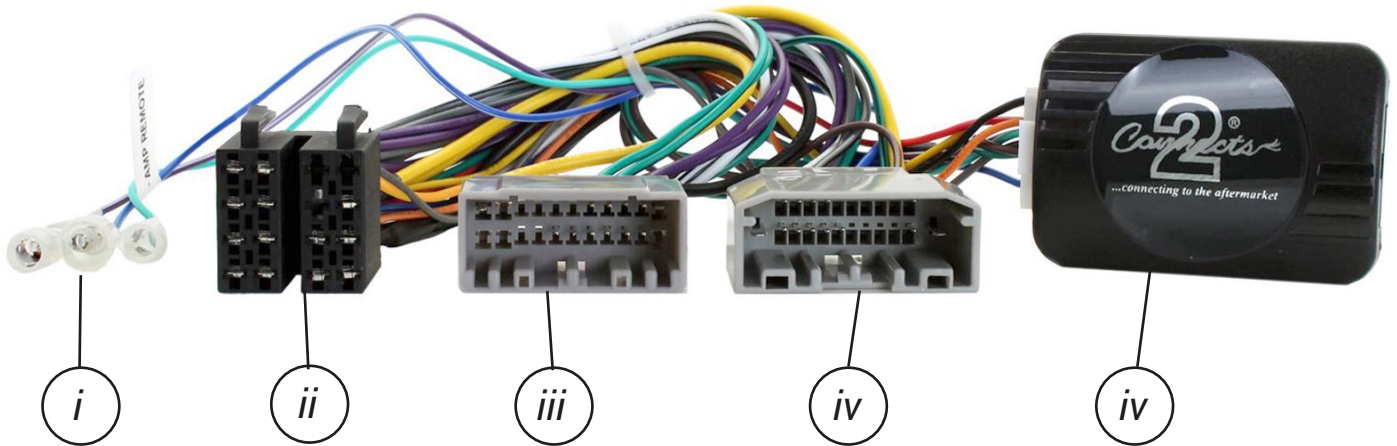




CTSCH00C

Steering Wheel Control Interface for various Chrysler, Dodge, Jeep, Mitsubishi, VW Vehicles



- i. Flying Wires
- ii. ISO Connector (16 Pin)
- iii. OEM Connector Variant 1 (22 Pin)
- iv. OEM Connector Variant 2 (22 Pin)
- v. Interface Box

Designed and
Engineered
in the UK. 

Note: Application data is subject to change at any time

APPLICATION

Chrysler

200	2011 - 2014
300C (LX)	2008 - 2010
300M	2002 - 2004
Aspen	2008 - 2009
Concorde	2002 - 2004
Pacifica	2004 - 2008
PT Cruiser	2002 - 2005
Sebring (JR/JS)	2002 - 2010
Town & Country	2002 - 2015
Voyager	2002 - 2013

Dodge

Avenger (JS)	2007 - 2015
Caliber (PK)	2006 - 2015
Caravan	2002 - 2015
Challenger	2008 - 2014
Charger	2006 - 2015
Dakota	2002 - 2011
Durango	2002 - 2009
Intrepid	2002 - 2004
Journey	2009 - 2010
Magnum	2005 - 2008
Nitro	2007 - 2011
RAM (DR/DH)	2002 - 2015
Stratus	2002 - 2006
Viper	2003 - 2009

Jeep

Compass	2009 - 2015
Commander (WH)	2008 - 2010
Patriot (PK)	2009 >
Liberty	2002 >
Wrangler	2003 >
Grand Cherokee (WJ/WH)	2002 - 2014

Mitsubishi

Raider	2008 - 2009
--------	-------------

Volkswagen

Routan	2009 - 2015
--------	-------------

FEATURES

- Retains Factory Steering Wheel Control Functionality
- Retains Factory Phone Button Functionality
- Provides Outputs for Park Brake, Reverse Gear & Amp Remote
- Updateable via USB (contact supplier for more information)

DISCLAIMER

The information provided in this document is subject to change without notice due to manufacturer changes and/or improvements to the product/s. This instruction manual is based on documented data and research. The manufacturer of this product cannot be held responsible for any changes made to the vehicle by the manufacturer or damages that may occur through the installation of this product in accordance with the steps outlined herein.

PRODUCT INFORMATION

CTSCH00C

CAN-Bus interface for a variety of vehicles (*See application list on front cover*). This interface retains the steering wheel controls and factory phone buttons (if vehicle is equipped). This particular interface is supplied with 2x connector variants - when installing, select the appropriate connection for your vehicle.

WIRING KEY

IN ISO CONNECTOR

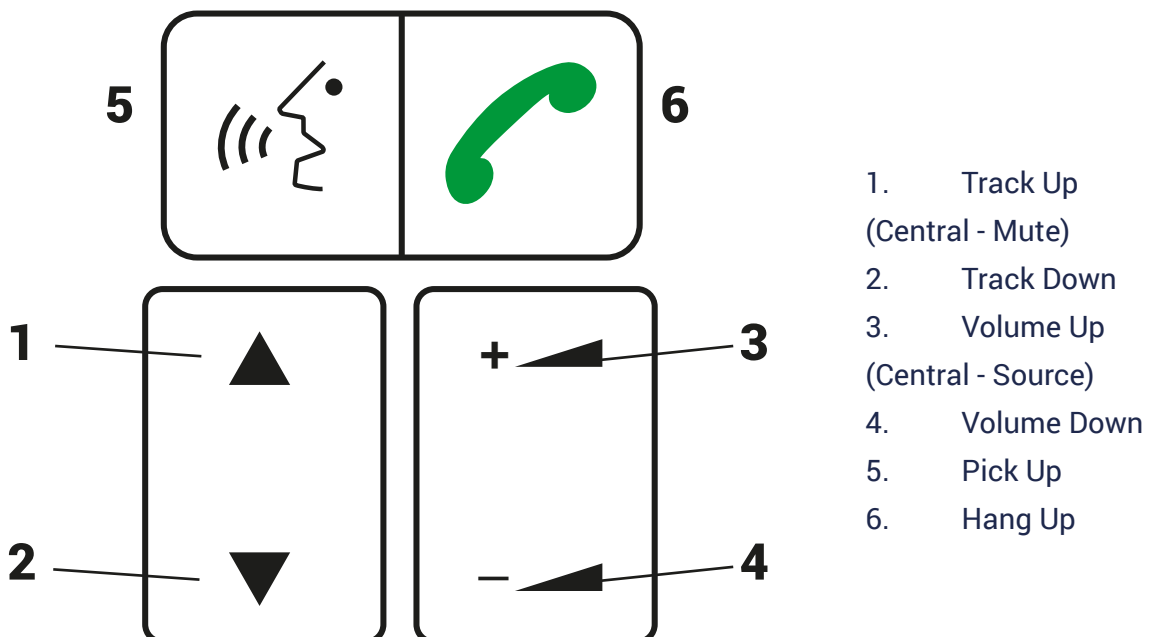
Purple	Right Rear Speaker +	Yellow	Permanent 12V
Purple/Black	Right Rear Speaker -	Black	Ground
Green	Left Rear Speaker +	Red	Ignition 12V
Green/Black	Left Rear Speaker -	Orange	Illumination
Grey	Right Front Speaker +	Blue	Antenna Remote
Grey/Black	Right Front Speaker -		
White	Left Front Speaker +		
White/Black	Left Front Speaker -		

ADDITIONAL CONNECTIONS

Green	Park Brake
Purple/White	Reverse Gear
Blue/White	Amp Remote

STEERING WHEEL CONTROL FUNCTIONALITY

The following diagram, though based on careful research, is an example only. Individual steering wheel control configurations may differ.



PRIOR TO INSTALLATION

Read the manual prior to installation. Technical knowledge is necessary for installation. The place of installation must be free of moisture and away from heat sources. Please ensure that the correct tools are used during the installation to avoid damage to the vehicle or product.

Connects2 can not be held responsible for the installation of this product.

INSTALLATION GUIDE

See wiring diagram on Pg.4 for more information

Before installing the interface, the factory stereo must be removed and disconnected. To do this, please consult the vehicle owner's manual/handbook or contact a fitting professional.

A stereo connection (patch) lead is also required for the installation of this interface (supplied separately). Please ensure that you have the correct lead before proceeding. For universal patch leads, prepare the wiring loops in accordance with the instruction manual supplied with the product before installation.

1. Connect the 12 Pin connector from the stereo connection (patch) lead to the interface box
2. Connect the opposite end of the stereo connection (patch) lead to the steering wheel control input on the back of the aftermarket stereo

NOTE: This may be a 3.5mm jack connector or a wired input depending on the brand of aftermarket stereo being fitted. Please consult the aftermarket stereo installation manual for further information on where to make the connection

IMPORTANT: THIS STEP MUST BE COMPLETED BEFORE CONNECTING POWER TO THE INTERFACE. FAILURE TO DO SO MAY RESULT IN A LACK OF FUNCTIONALITY AND THE NEED TO REINSTALL THE PRODUCT

3. Connect the 14 Pin connector from the supplied wiring loom to the interface box
4. Connect the power/speaker ISO connector to the power/speaker ISO connector at the rear of the aftermarket stereo.

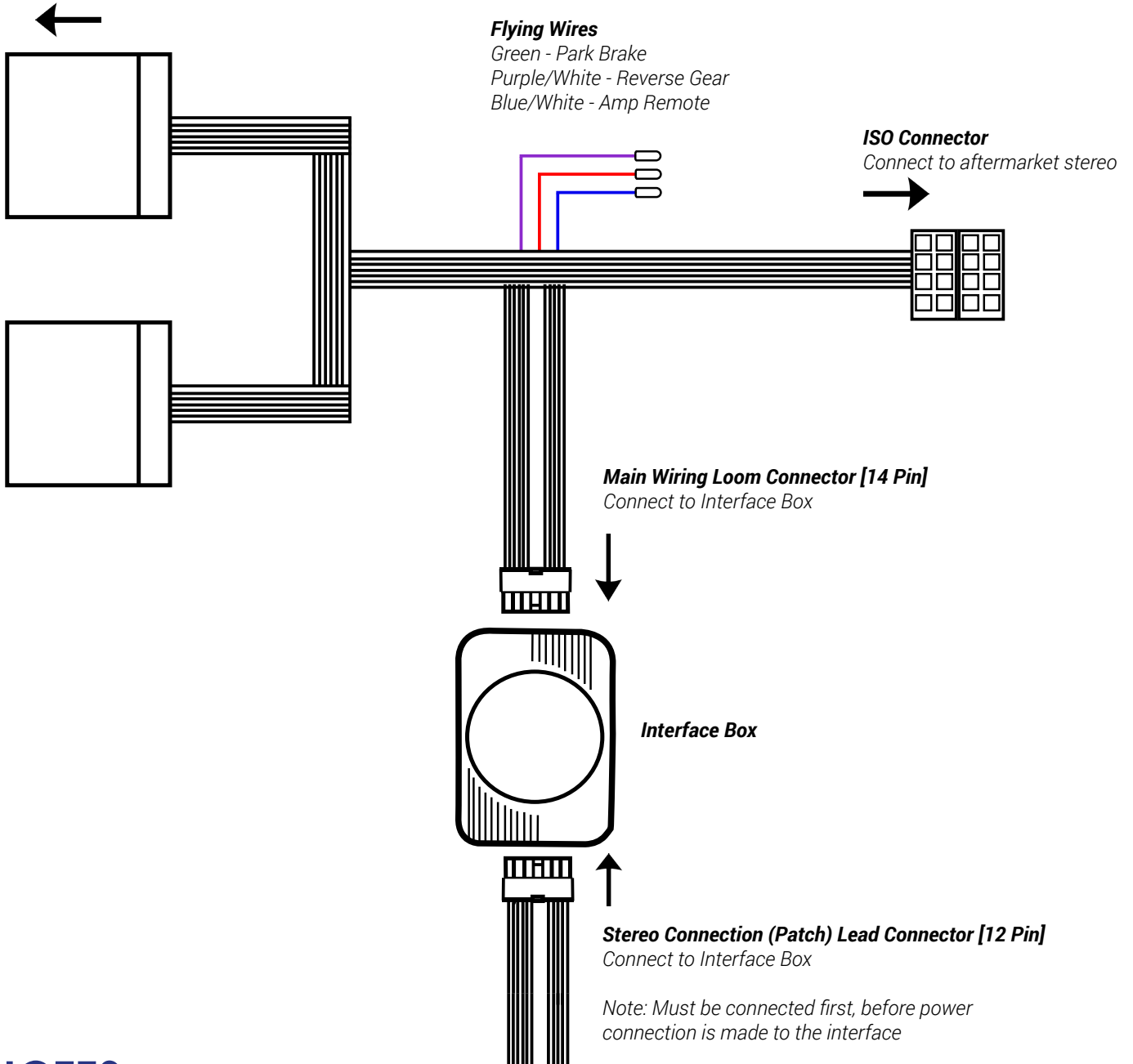
NOTE: For aftermarket stereos which do not have an ISO connector, please see "Wiring Key" on Pg.2 for information on which wires to connect. Some interfaces may also have additional 'flying' wires which can be connected to the vehicle to support various features ie. parking brake trigger, reverse gear and speed pulse. Details of these can be found under 'Additional Connections'.
5. Connect the appropriate OEM variant connector on the supplied harness to the OEM connector from the vehicle.
6. Test stereo and steering wheel control functionality for correct operation before reassembling the vehicle dashboard. If steering wheel control functions are unresponsive, please uninstall the interface and wiring and reinstall carefully in accordance with the above steps.

***For further help, please contact and fill out a support ticket with the full details of your issue at:
support.connects2.com/tickets/technical***

WIRING DIAGRAM

OEM Connector (22 Pin)

Connect to OEM connector from vehicle.
Select appropriate variant for the vehicle.



NOTES



INSTALLATION INSTRUCTIONS FOR PART 95-6511-17

APPLICATIONS

Chrysler

Aspen 2008-09/Sebring 2007-09
Town and Country 2008-09/300/300c 2008-09

Dodge

Avenger 2007-09/Caliber 2009/Challenger 2009
Charger 2008-09/Dakota 2008-09/Durango 2008-09
Grand Caravan 2008-09/Journey 2009*
Magnum 2008/ Nitro 2007-09/Ram 1500 2009

Jeep

Compass 2009/Commander 2008-09/Grand Cherokee 2008-09/Patriot 2009
Liberty 2008-09/Wrangler 2007-09*

**(Modifications to radio cavity required)*

Mitsubishi

Raider 2008

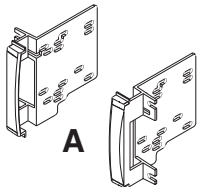
95-6511-17

KIT FEATURES

- Double DIN Radio Provision
- Stacked ISO Units Provision

KIT COMPONENTS

A) Double DIN Brackets/Trim Plate



WIRING AND ANTENNA CONNECTIONS (Sold Separately)

Harness:

- XSVI-6522-NAV - Chrysler CAN rap harness 07-up
- CHT0-03 - Chrysler CAN amp harness 07-up

Antenna Adapter:

- 40-EU10 - European antenna adapter 02-up

TOOLS REQUIRED:

Small Flat Blade Screwdriver/ Panel Removal Tool

- Phillips Screwdriver • Socket Set



1-800-221-0932



www.metraonline.com

© COPYRIGHT 2017 METRA ELECTRONICS CORPORATION

TABLE OF CONTENTS

Dash Disassembly

- Chrysler Aspen 2008-2009/Dodge Durango 2008-2009 1
- Chrysler Sebring 2007-2009 2
- Chrysler Town and Country 2008-2009 3,4
- Chrysler 300/300C 2008-2009 5
- Dodge Avenger 2007-2009 6
- Dodge Caliber 2009 12
- Dodge Challenger 2009 12
- Dodge Dakota 2008-2009 7
- Dodge Grand Caravan 2008-2009 3,4
- Dodge Magnum/Charger 2008 5
- Dodge Nitro 2007-2009/Liberty 2008-2009 8
- Dodge Journey 2009 (Modifications to radio cavity required) 9
- Dodge Ram 1500 2009 13,14
- Jeep Commander/Grand Cherokee 2008-2009 10
- Jeep Compass 2009 12
- Jeep Patriot 2009 12
- Jeep Wrangler 2007-2009 (Modifications to radio cavity required) ... 11
- Mitsubishi Raider 2008 7

Kit Assembly

- Double DIN Radio Provision 15
- Stacked ISO Units Provision 15

Final Assembly 16

*Note:

Refer also to the instructions included with the aftermarket radio.



KNOWLEDGE IS POWER

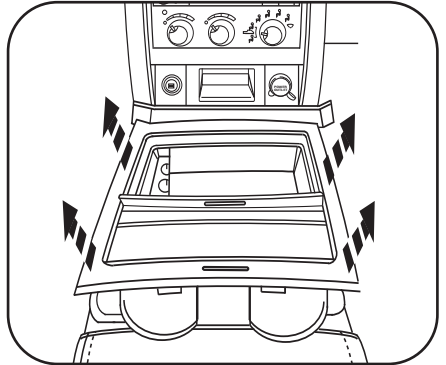
Enhance your installation and fabrication skills by enrolling in the most recognized and respected mobile electronics school in our industry. Log onto www.installerinstitute.com or call 800-354-6782 for more information and take steps toward a better tomorrow.

CHRYSLER ASPEN 2008-2009
DODGE DURANGO 2008-2009

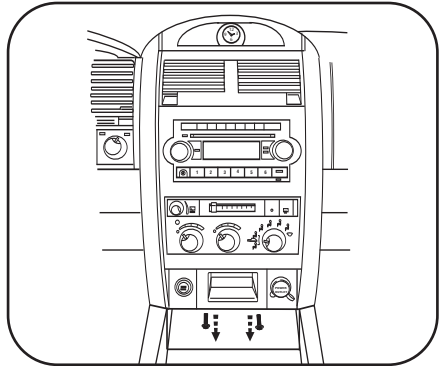
- 1** Disconnect the negative battery terminal to prevent an accidental short circuit.
- 2** Unsnap and remove storage cup holder assembly. (Figure A)
- 3** Remove (2) screws from bottom edge of center dash trim panel. Unsnap and remove the panel. (Figure B)
- 4** Remove (4) screws securing the radio. Unplug and remove radio. (Figure C)

Continue to kit assembly.

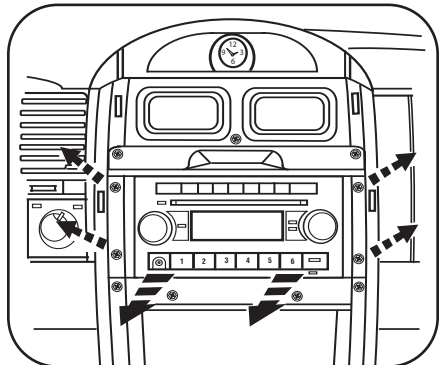
A



B



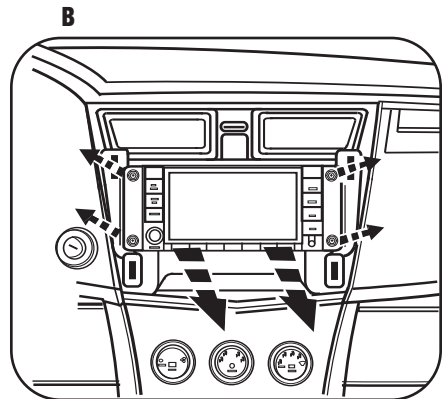
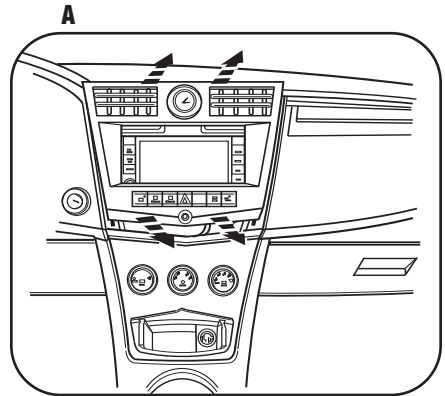
C



CHRYSLER SEBRING 2007-2009

- 1** Disconnect the negative battery terminal to prevent an accidental short circuit.
- 2** Unclip entire panel surrounding radio including a/c vents and clock. Unplug and remove panel. (Figure A)
- 3** Remove (4) 7MM screws securing radio. Unplug and remove radio. (Figure B)

Continue to kit assembly.

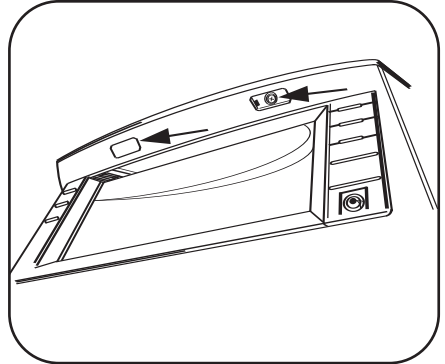


CHRYSLER TOWN AND COUNTRY 2008-2009
DODGE GRAND CARAVAN 2008-2009

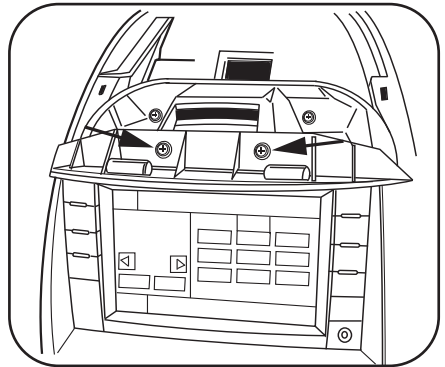
- 1** Disconnect the negative battery terminal to prevent an accidental short circuit.
- 2** Remove (2) screw covers facing up above radio then remove the (2) Phillips screws exposed. (Figure A)
- 3** Lift up on panel above radio then remove (2) Phillips screws exposed at front edge of radio trim panel. (Figure B)
- 4** Remove (3) plastic push pins per side of bottom trim panel then slide panel toward rear of van to access (2) screws on bottom of radio trim panel. (Figure C)

Continued on page 3.

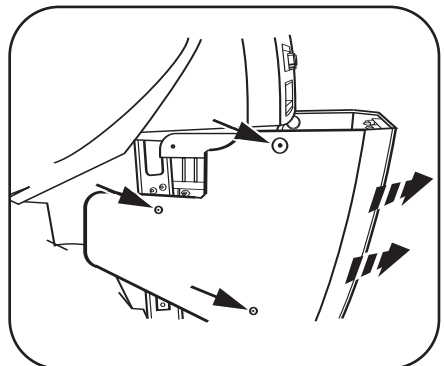
A



B



C

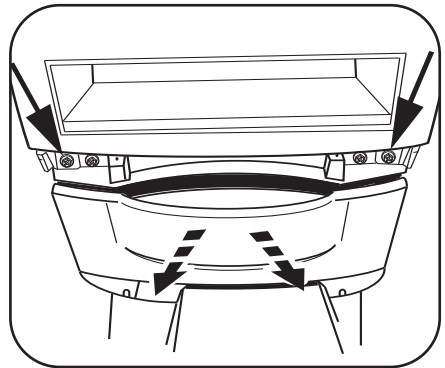


CHRYSLER TOWN AND COUNTRY 2008-2009
DODGE GRAND CARAVAN 2008-2009

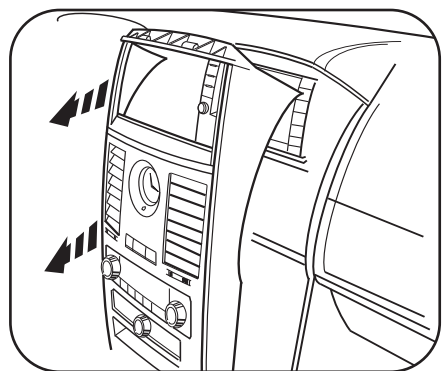
- 5** Remove (2) Phillips screws exposed at bottom edge radio trim panel. (Figure D)
- 6** Unclip and remove entire panel surrounding radio including climate controls, vents and clock. (Figure E)
- 7** Remove (4) Phillips screws securing radio. (Figure F)

Continue to kit assembly.

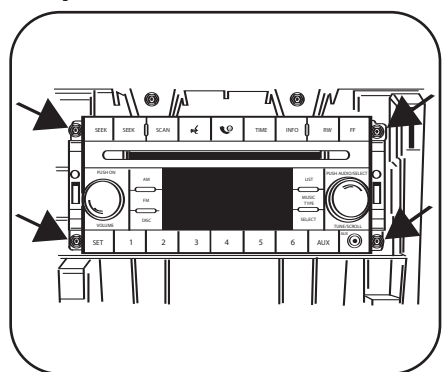
D



E



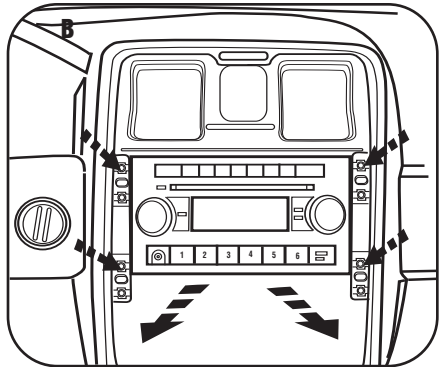
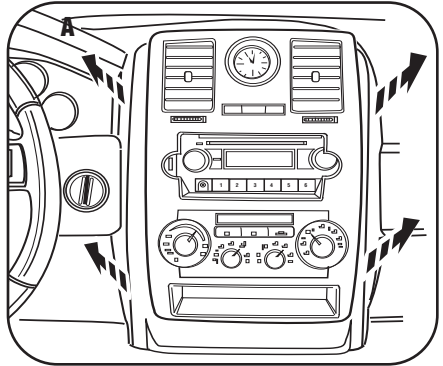
F



CHRYSLER 300/300C 2008-2009 **DODGE MAGNUM/CHARGER 2008**

- 1** Disconnect the negative battery terminal to prevent an accidental short circuit.
- 2** Unsnap and remove center dash trim panel. (Figure A)
- 3** Remove (4) screws securing the radio. Disconnect and remove the radio. (Figure B)

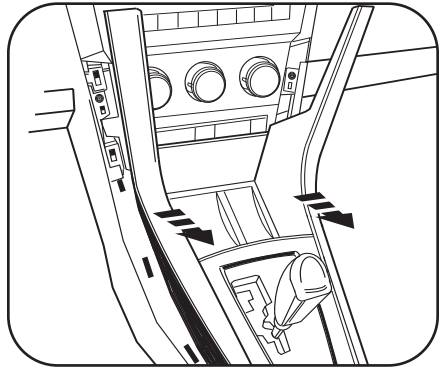
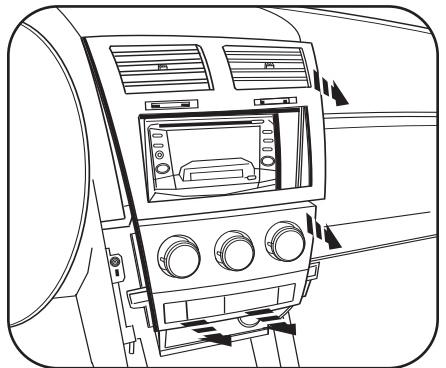
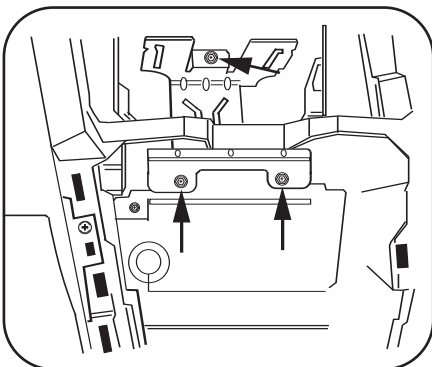
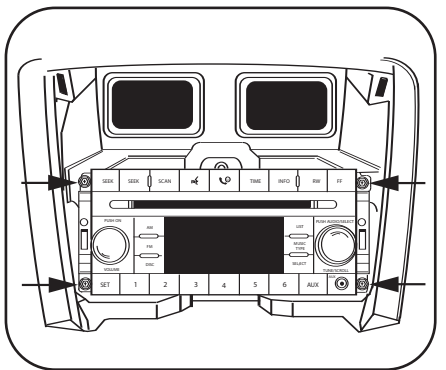
Continue to kit assembly.



DODGE AVENGER 2007-2009

- 1** Disconnect the negative battery terminal to prevent an accidental short circuit.
- 2** Unclip and remove the center console trim panel. (Figure A)
- 3** Unclip the center dash trim panel. (Figure B)
- 4** Remove (4) screws securing the radio. Disconnect and remove the radio. (Figure C)
- 5** Remove (3) screws securing the radio rear support bracket and remove the bracket. (Figure D)

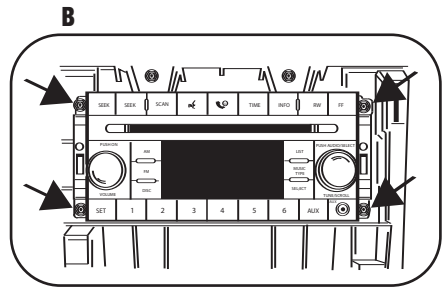
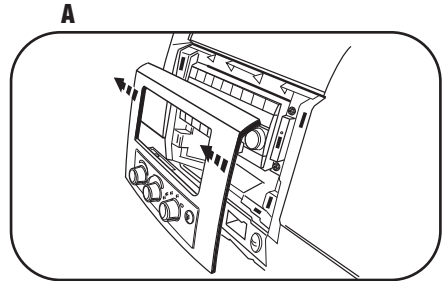
Continue to kit assembly.

A

B

D

C


DODGE DAKOTA 2008-2009

- 1** Disconnect the negative battery terminal to prevent an accidental short circuit.
- 2** Unclip and remove the trim panel surrounding the radio. (Figure A)
- 3** Remove (4) Phillips screws securing the radio. (Figure B)

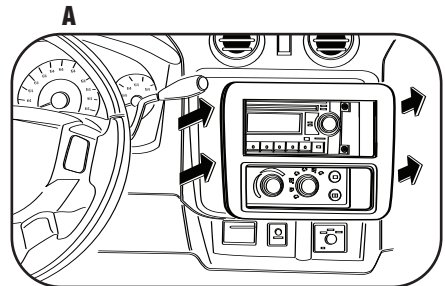
Continue to kit assembly.



MITSUBISHI RAIDER 2008

- 1** Disconnect the negative battery terminal to prevent an accidental short circuit.
- 2** Unsnap and remove center dash panel. (Figure A)
- 3** Remove (4) 7mm screws securing the radio. Unplug and remove radio.

Continue to kit assembly.

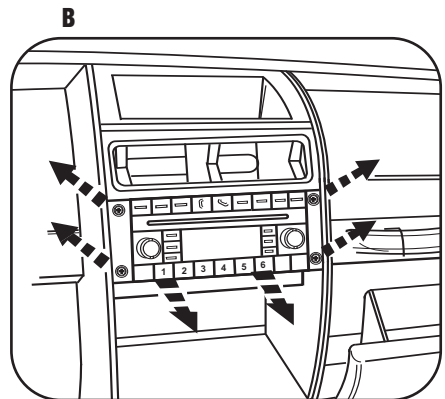
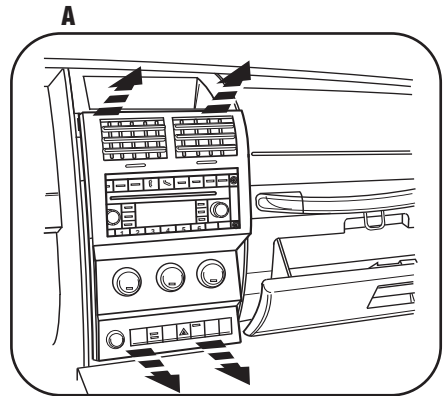


DODGE NITRO 2007-2009
JEEP LIBERTY 2008-2009

- 1** Disconnect the negative battery terminal to prevent an accidental short circuit.

- 2** Unclip entire panel surrounding radio and climate controls, including a/c vents. Unplug and remove panel. (Figure A)

- 3** Remove (4) 7MM screws securing radio. Unplug and remove radio. (Figure B)



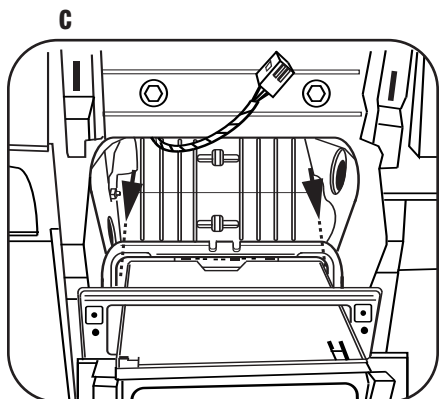
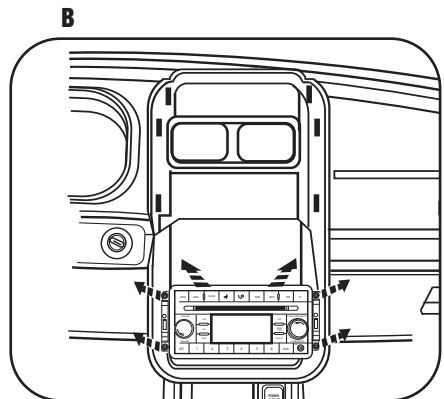
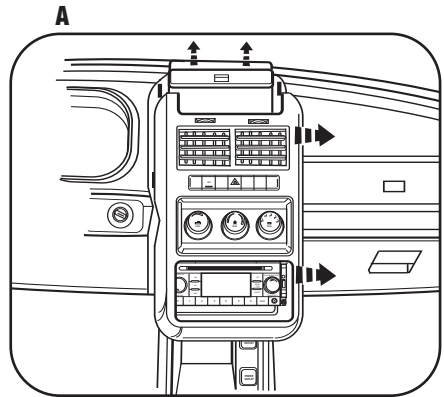
Continue to kit assembly.

DODGE JOURNEY 2009

- 1** Disconnect the negative battery terminal to prevent an accidental short circuit.
- 2** Unclip and remove the entire factory radio trim panel including the a/c controls. (Figure A)
TIP: *Open the compartment door at the top of the radio trim panel.*
- 3** Remove (4) 7MM screws securing radio to dash to remove. (Figure B)

NOTE: *The top of the metal bracket in the sub dash will need to be cut to allow for the clearance of the Double DIN radio's chassis. (Figure C)*

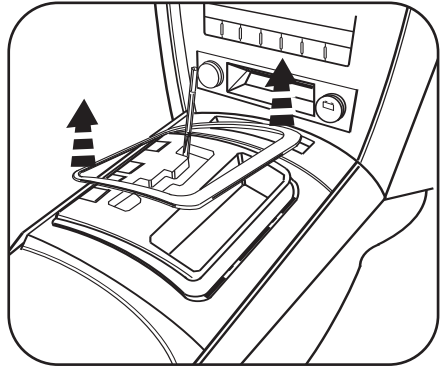
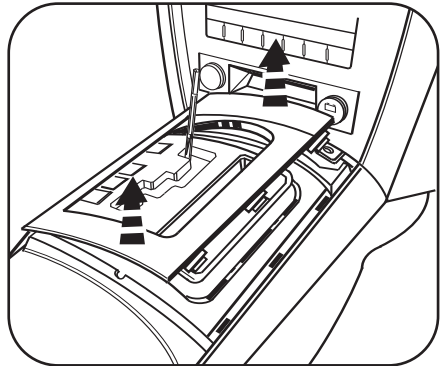
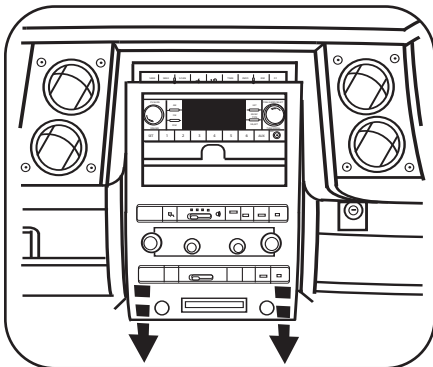
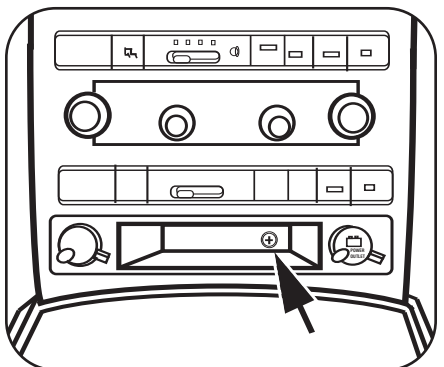
Continue to kit assembly.



JEEP COMMANDER/GRAND CHEROKEE 2008-2009

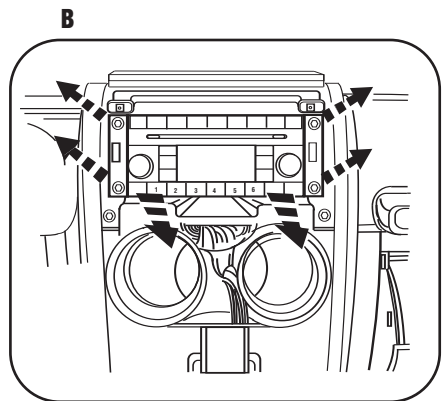
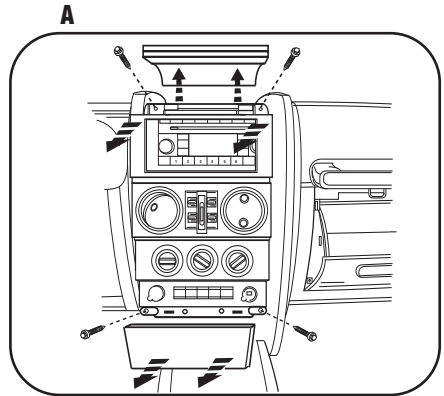
- 1** Disconnect the negative battery terminal to prevent an accidental short circuit.
- 2** Unsnap and remove the small trim around the console shifter. (Figure A)
- 3** Unsnap and remove the larger trim around the console shifter. (Figure B)
- 4** Remove one Phillips screw from inside the small storage pocket in the lower dash, between the power outlets. (Figure C)
- 5** Unsnap and remove the dash panel from around the radio (including climate controls). (Figure D)
- 6** Remove (4) Phillips screws securing the radio. Unplug and remove radio.

Continue to kit assembly.

A

B

D

C


JEEP WRANGLER 2007-2009

- 1 Disconnect the negative battery terminal to prevent an accidental short circuit.
- 2 Unclip and remove the lower center trim below a/c controls. (Figure A)
- 3 Remove (2) Phillips screws exposed behind lower center panel. (Figure A)
- 4 Unclip and remove the upper center trim starting towards the rear of the panel. (Figure A)
- 5 Remove (2) Phillips screws exposed behind upper center panel. (Figure A)
- 6 Unclip and remove entire panel surrounding radio and climate controls, including a/c vents.
- 7 Remove (4) 7MM screws securing radio. Unplug and remove radio. (Figure B)

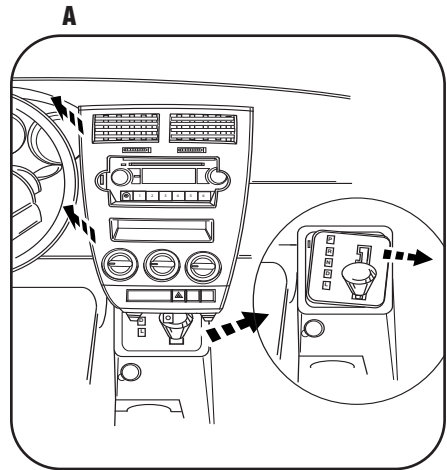


NOTE: *The top of the metal bracket in the sub dash will need to be cut to allow for the clearance of the Double DIN radio's chassis.*

Continue to kit assembly.

DODGE CALIBER 2009
DODGE CHALLENGER 2009
JEEP COMPASS 2009
JEEP PATRIOT 2009

- 1** Disconnect the negative battery terminal to prevent an accidental short circuit.
- 2** Unsnap and move shifter trim to the side. **(Figure A)**
- 3** Unsnap center dash trim panel (do not remove until climate controls are removed). **(Figure A)**
- 4** Remove (4) Phillips screws holding climate control panel to backside of the center dash panel.
- 5** Remove (4) 7MM screws securing radio. Unplug and remove radio.
- 6** The metal bracket in the sub-dash will need to be removed for the aftermarket Double DIN radio's depth.

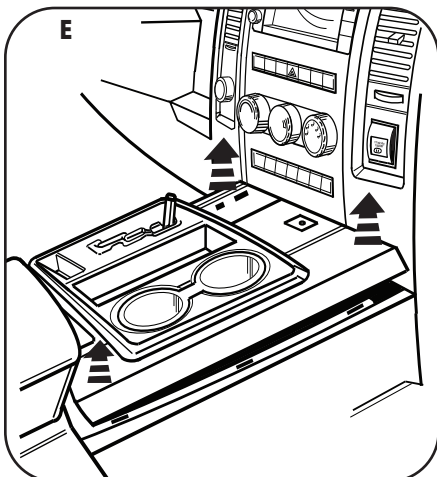
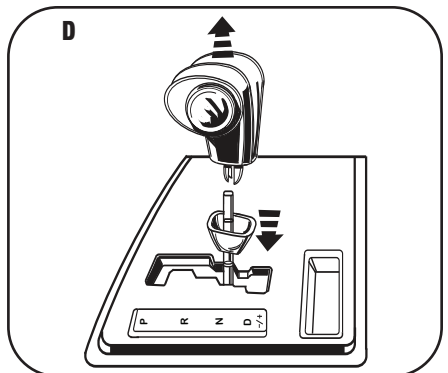
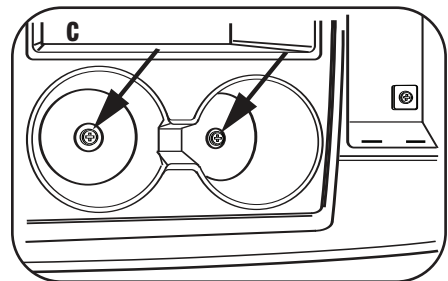
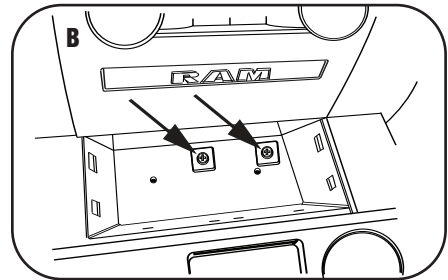
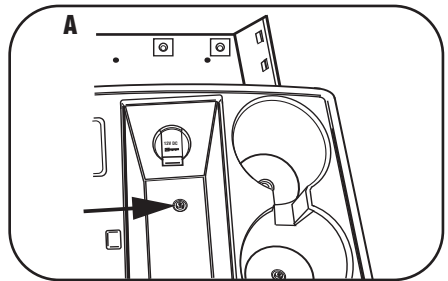


Continue to kit assembly.

DODGE RAM 1500 2009

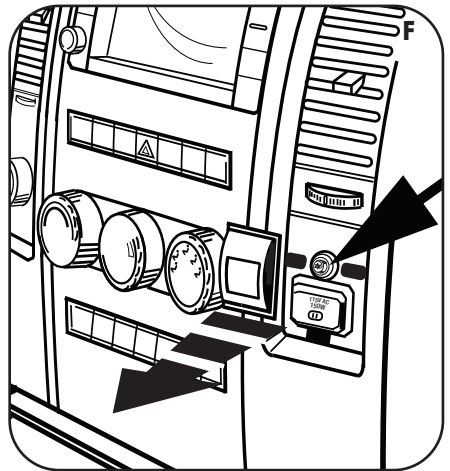
- 1** Disconnect the negative battery terminal to prevent an accidental short circuit.
- 2** Remove (1) T25 Torx screw in the compartment next to the cup holders. (**Figure A**)
- 3** Remove (2) Phillips screws in the pocket below the climate control in the front of the center console. (**Figure B**)
- 4** Remove (2) 9/32" screws in the cup holders. (**Figure C**)
- 5** Push down on the collar below the shifter then pull the shifter straight up to remove. (**Figure D**)
- 6** Unclip and remove the top of the center console including the cup holders. (**Figure E**)

Continued on page 14.

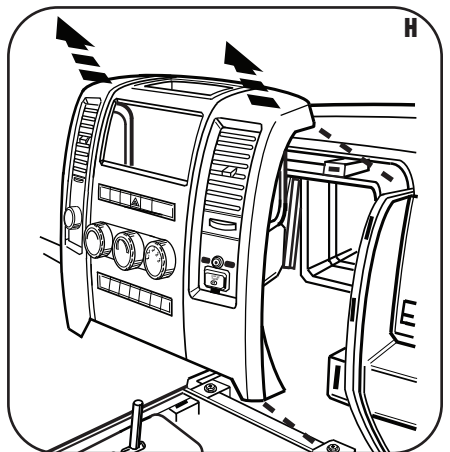
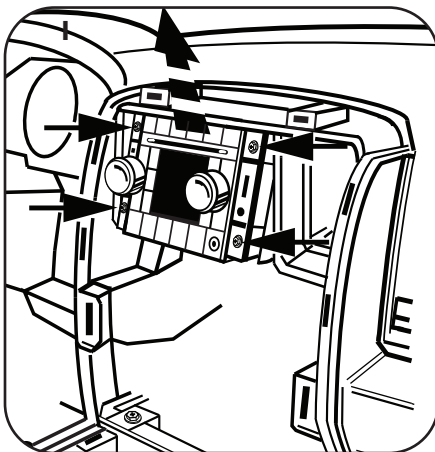
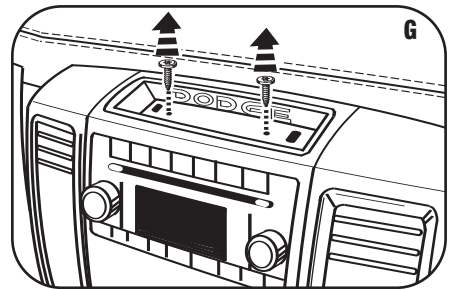


DODGE RAM 1500 2009

- 7** Unclip and remove the trim panel from the accessory socket on the radio trim panel, then remove (1) T25 Torx screw. **(Figure F)**
- 8** Remove (2) T25 Torx screws from the top of the radio trim panel. **(Figure G)**
- 9** Unclip and remove the entire radio trim panel including the climate controls. **(Figure H)**
- 10** Remove (4) 9/32" screws securing the radio. **(Figure I)**



Continue to kit assembly.

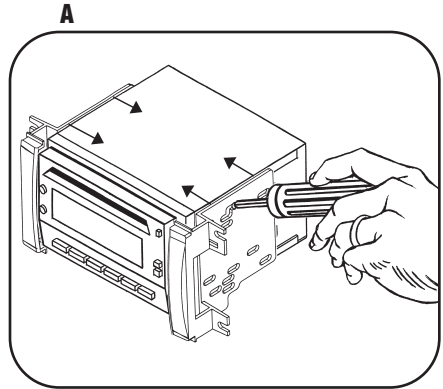


DOUBLE DIN RADIO PROVISION

**Note: Refer also to the instructions included with the aftermarket radio.*

- 1 Attach the Double DIN brackets/trim plates to the Double DIN Radio using the screws supplied with the Radio. (Figure A)

Continue to final assembly.



STACKED ISO UNITS PROVISION

**Note: Refer also to the instructions included with the aftermarket radio.*

- 1 Attach the Double DIN brackets/trim plates to the stacked ISO units using the screws supplied with the units. (Figure A)

Continue to final assembly.

